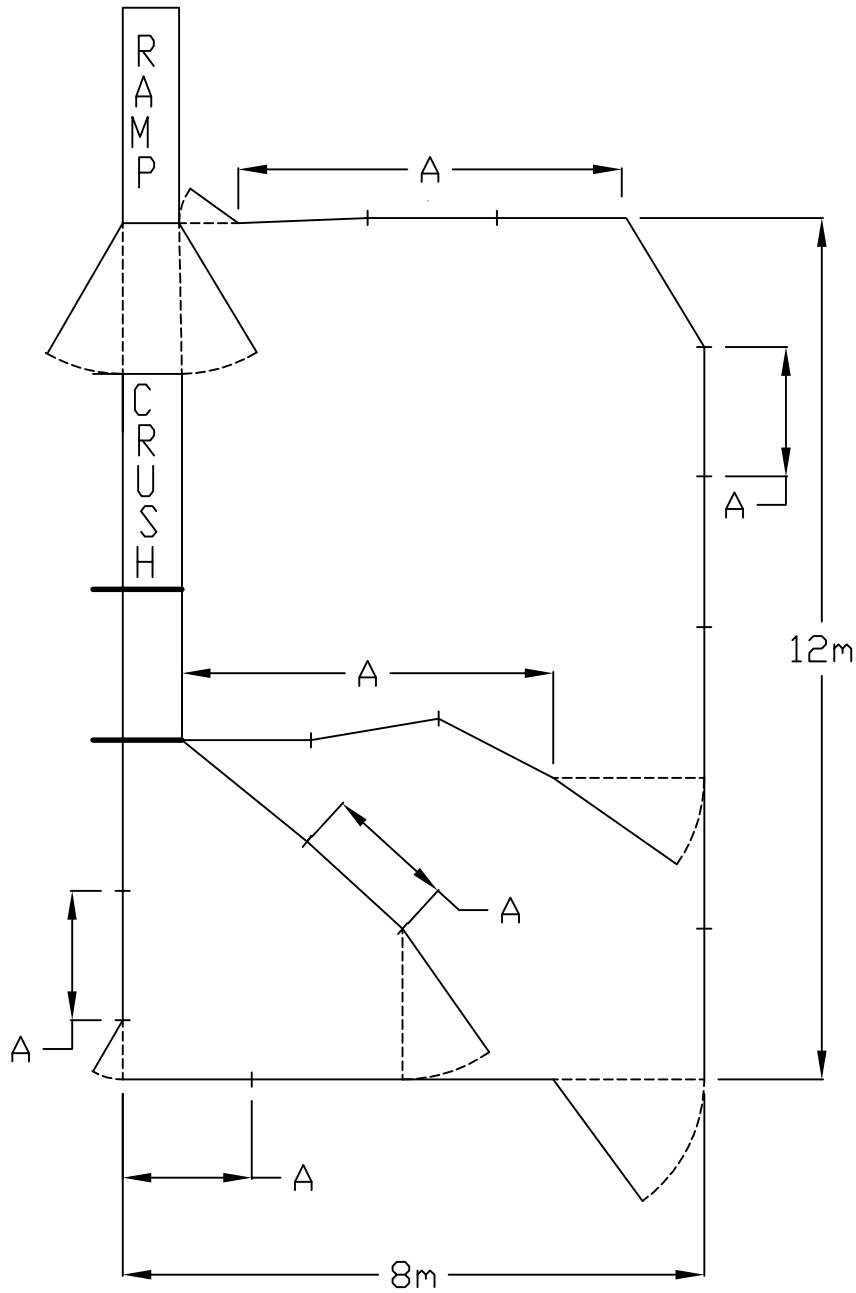


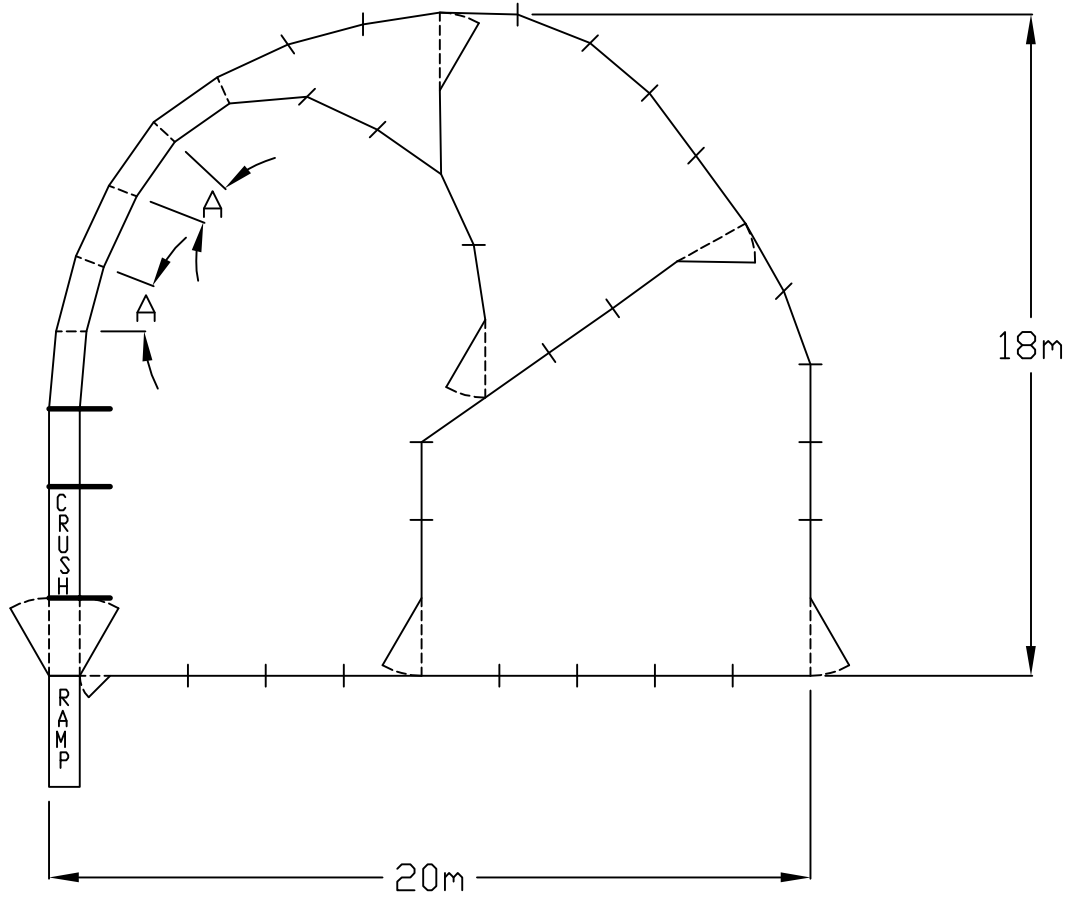
SUPER YARD  
20 HEAD



"A" denotes 1900mm panels are being used.  
All other panels are 2100mm long.

COMPONENT	QTY
2100mm PANELS	11
1900mm PANELS	10
2100mm GATES	5
50 SLIDING GATES	1
50 RACE BOW	2
3m CATTLE RAMP	1
SUPER CRUSH	1

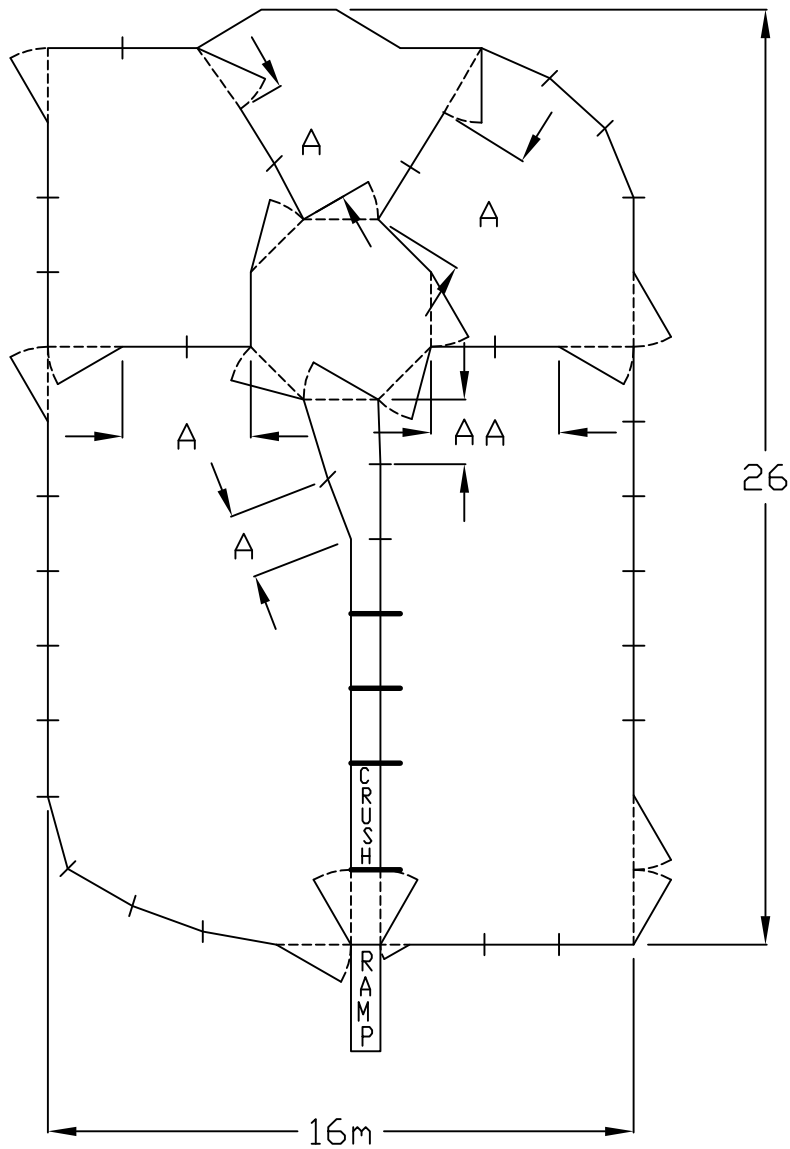
SUPER YARD  
50 HEAD



"A" denotes 1900mm panels are being used.  
All other panels are 2100mm long.

<u>COMPONENT</u>	<u>QTY</u>
2100mm PANELS	54
1900mm PANELS	2
2100mm GATES	7
50 SLIDING GATES	1
50 RACE BOW	1
3m CATTLE RAMP	1
SUPER CRUSH	1

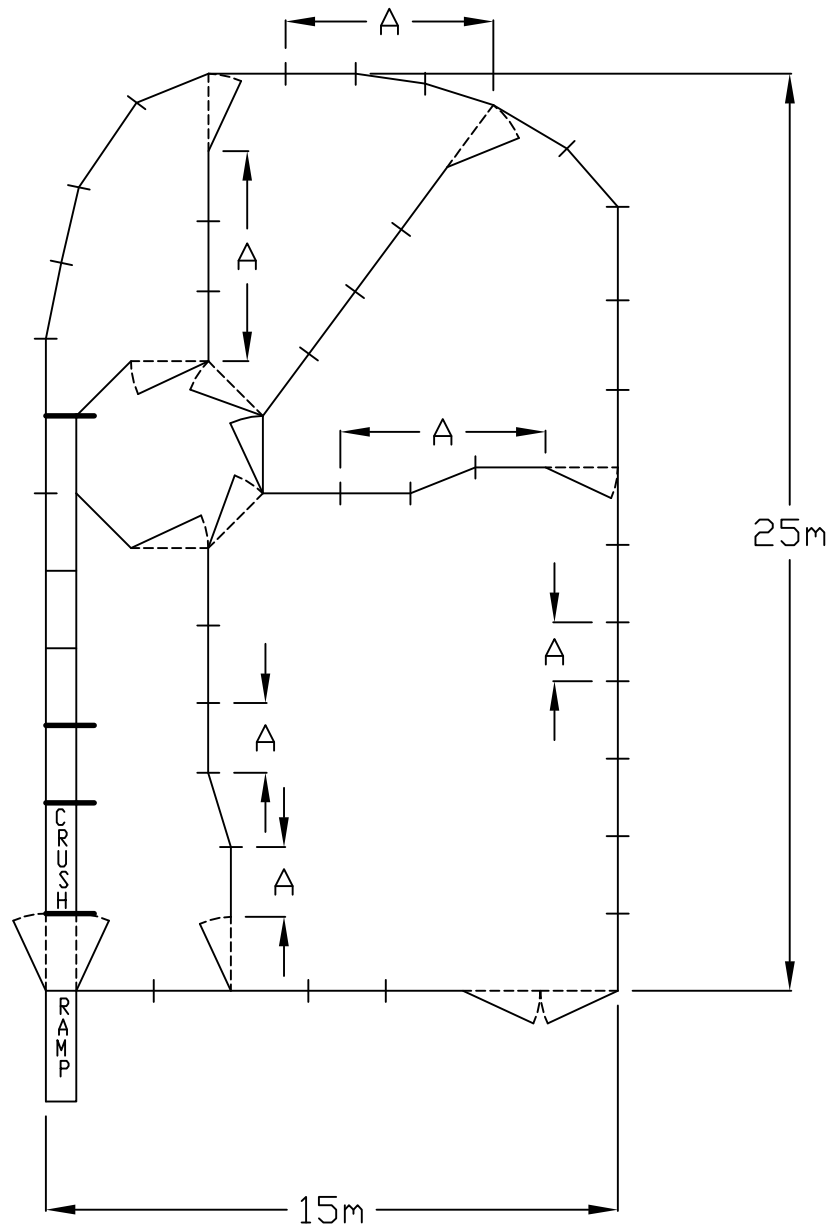
SUPER YARD  
50 HEAD (B)



"A" denotes 1900mm panels are being used.  
All other panels are 2100mm long.

COMPONENT	QTY
2100mm PANELS	41
1900mm PANELS	10
2100mm GATES	18
50 SLIDING GATES	2
50 RACE BOW	1
3m CATTLE RAMP	1
SUPER CRUSH	1

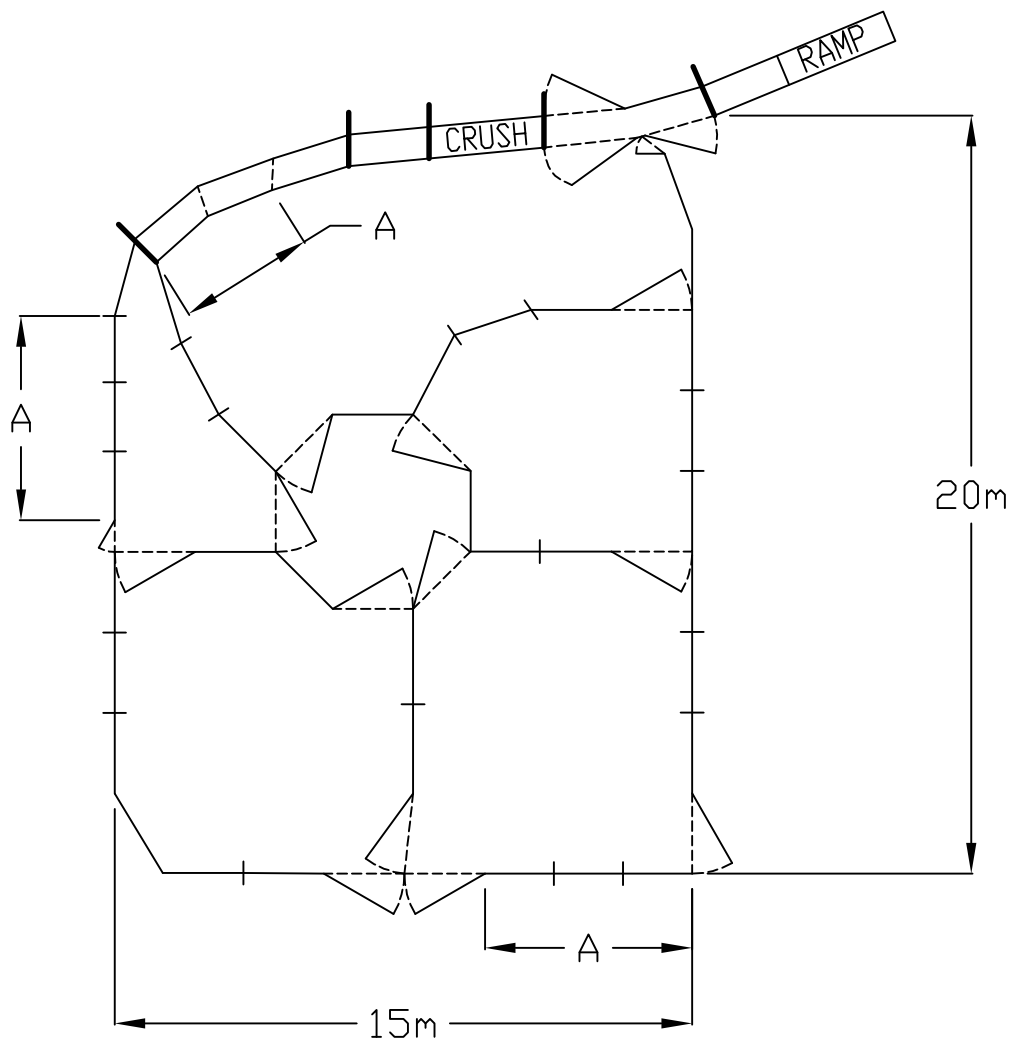
SUPER YARD  
70 HEAD



"A" denotes 1900mm panels are being used.  
All other panels are 2100mm long.

COMPONENT	QTY
2100mm PANELS	42
1900mm PANELS	12
2100mm GATES	13
50 SLIDING GATES	2
50 RACE BOW	1
3m CATTLE RAMP	1
SUPER CRUSH	1

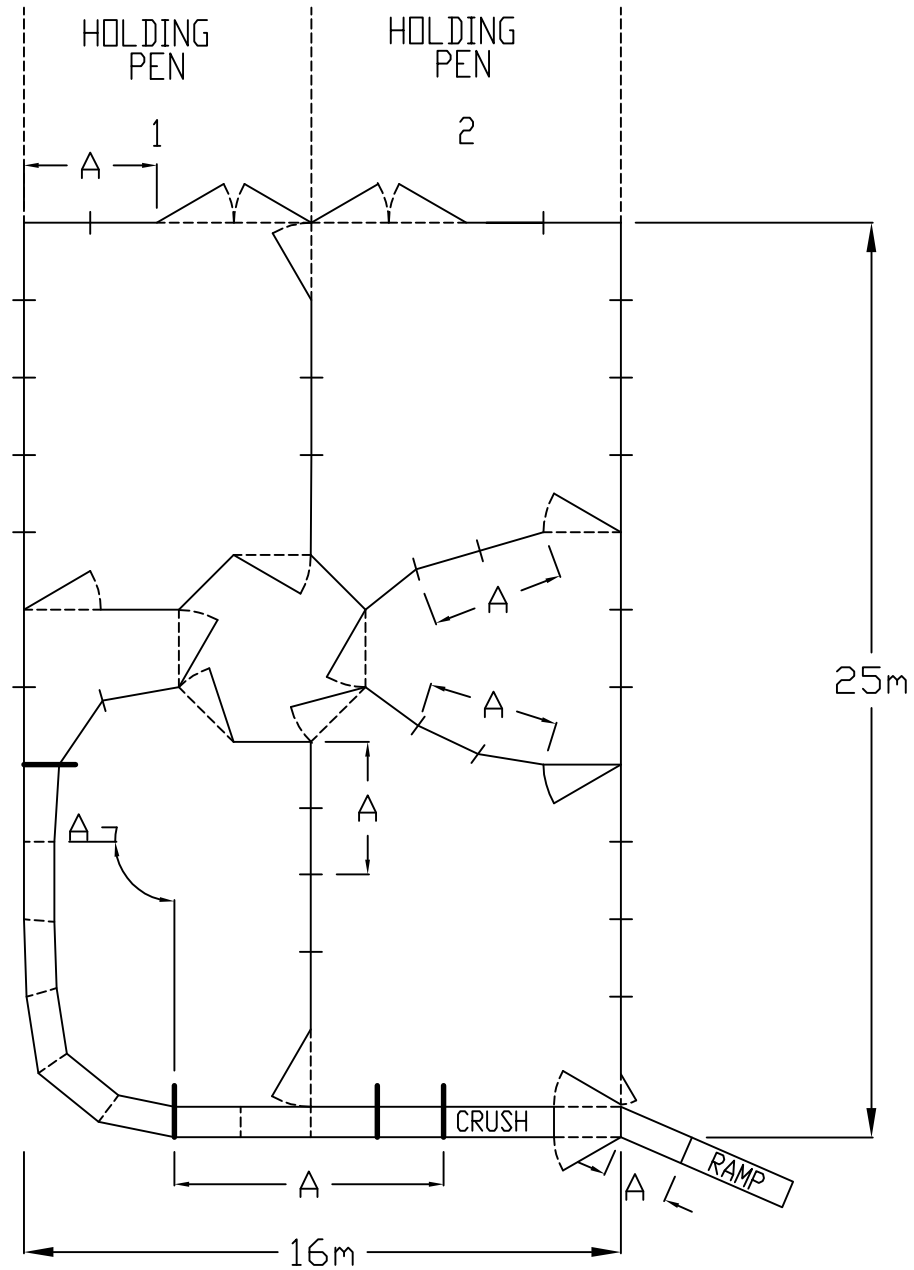
SUPER YARD  
70 HEAD (B)



"A" denotes 1900mm panels are being used.  
All other panels are 2100mm long.

COMPONENT	QTY
2100mm PANELS	35
1900mm PANELS	9
2100mm GATES	116
50 SLIDING GATES	3
50 RACE BOW	2
3m CATTLE RAMP	1
SUPER CRUSH	1

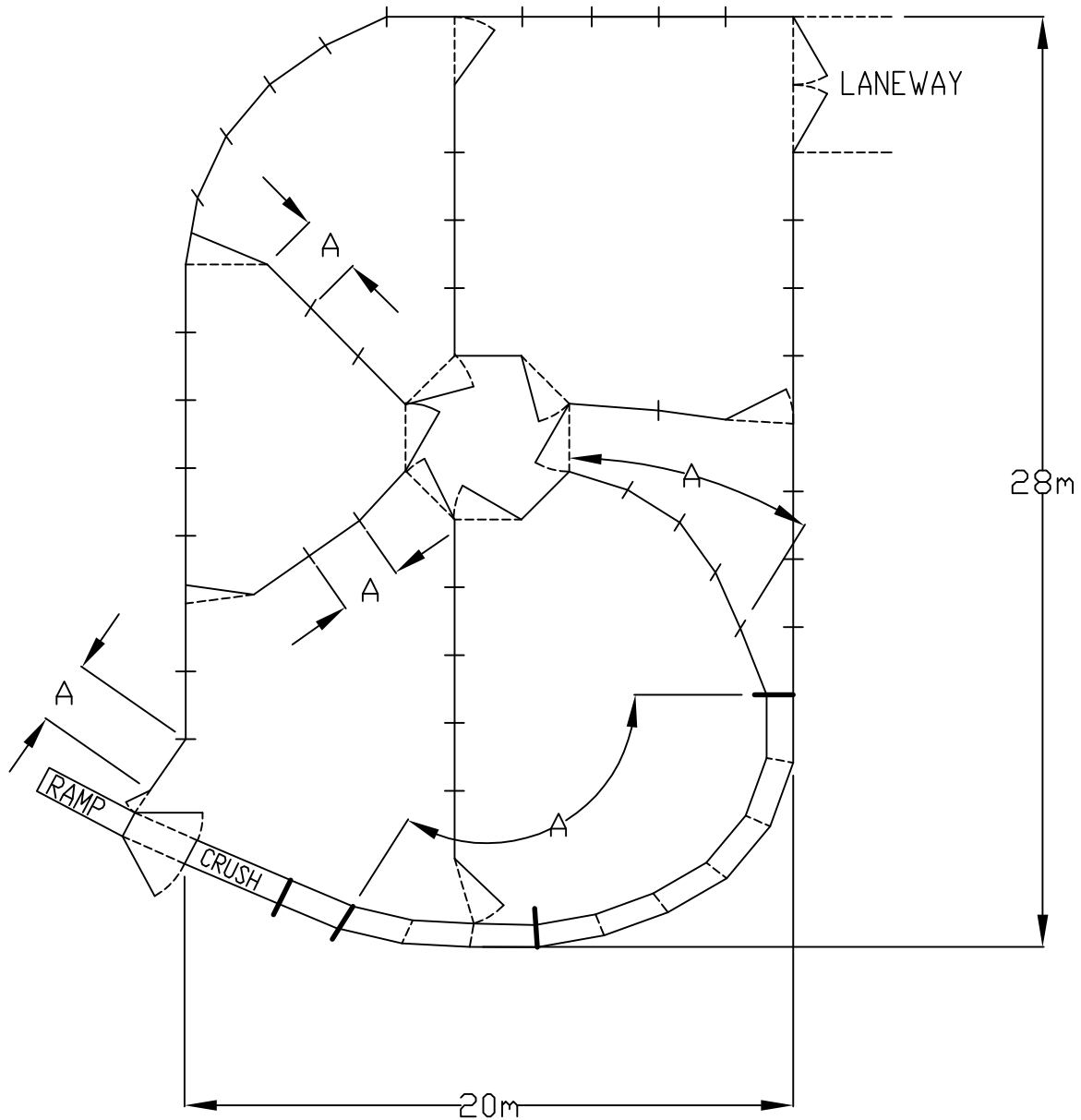
# SUPER YARD 120 HEAD



"A" denotes 1900mm panels are being used.  
All other panels are 2100mm long.

<u>COMPONENT</u>	<u>QTY</u>
2100mm PANELS	41
1900mm PANELS	22
2100mm GATES	16
50 SLIDING GATES	3
50 RACE BOW	1
3m CATTLE RAMP	1
SUPER CRUSH	1

SUPER YARD  
120 HEAD (b)



"A" denotes 1900mm panels are being used.  
All other panels are 2100mm long.

COMPONENT	QTY
2100mm PANELS	54
1900mm PANELS	16
2100mm GATES	15
50 SLIDING GATES	3
50 RACE BOW	1
3m CATTLE RAMP	1
SUPER CRUSH	1